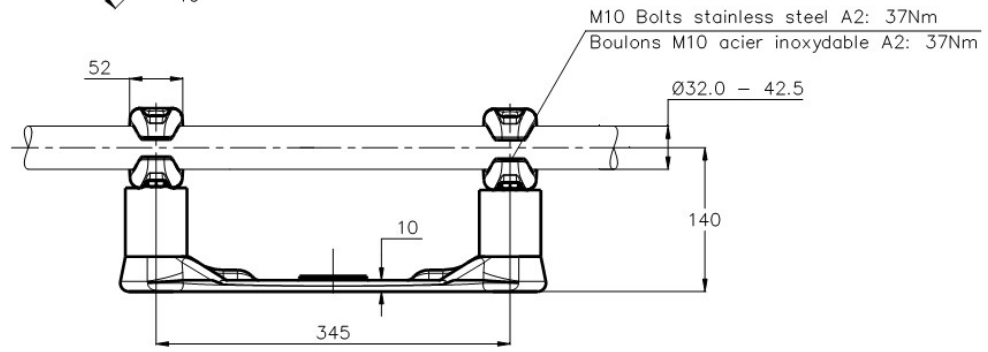
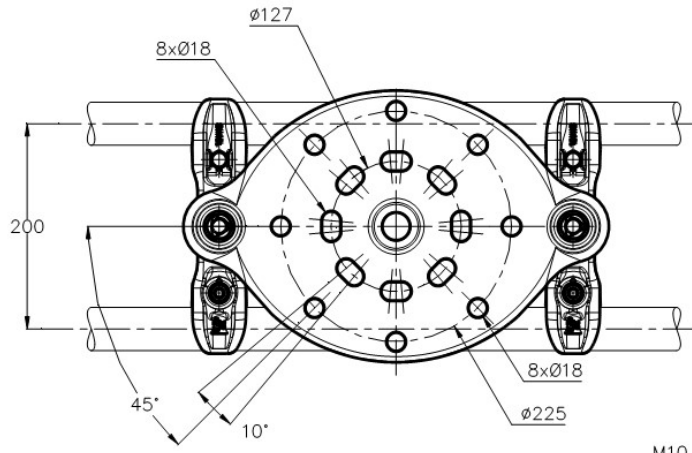


THIS DRAWING IS UNPUBLISHED. RELEASED FOR PUBLICATION
 © COPYRIGHT - By - ALL RIGHTS RESERVED.

REVISIONS					
P	LTR	DESCRIPTION	DATE	DWN	APVD
A		CREATION	18-SEP-17	GL	-



THIS DRAWING IS A CONTROLLED DOCUMENT.		DWN LAFORGE	18-SEP-17	TE TE Connectivity	
DIMENSIONS: mm		OK	-	NAME DOUBLE TWIN BUNDLE SUPPORT ON BPI SUPPORT DOUBLE POUR FAISCEAU DOUBLE SUR ISO	
TOLERANCES UNLESS OTHERWISE SPECIFIED:		APVD	-	PRODUCT SPEC 108-69096-001	
0 PLC ± -		APPLICATION SPEC		SIZE 5 CAED 82 P5-P225 M320/M425 E200 H140	
1 PLC ± -		APPROX WEIGHT 4.7 kg		DRAWING NO A300779 C=2325162	
2 PLC ± -		CUSTOMER DRAWING		RESTRICTED TO	
3 PLC ± -		SCALE 1:4		SHEET 1 of 1	
4 PLC ± -		REV A		REV A	
ANGLES ± -					
FINISH					
MATERIAL					

ITEM:.....